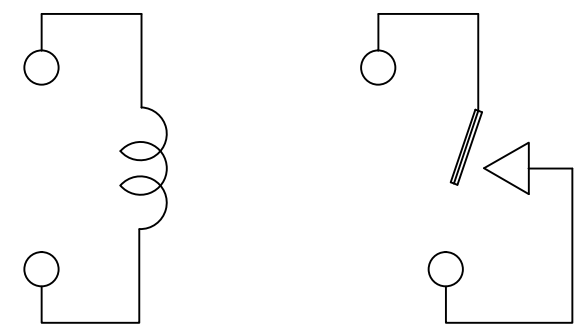
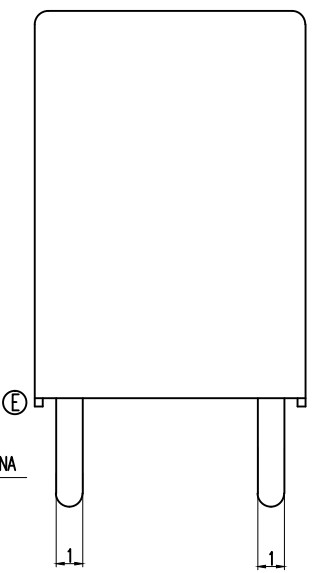
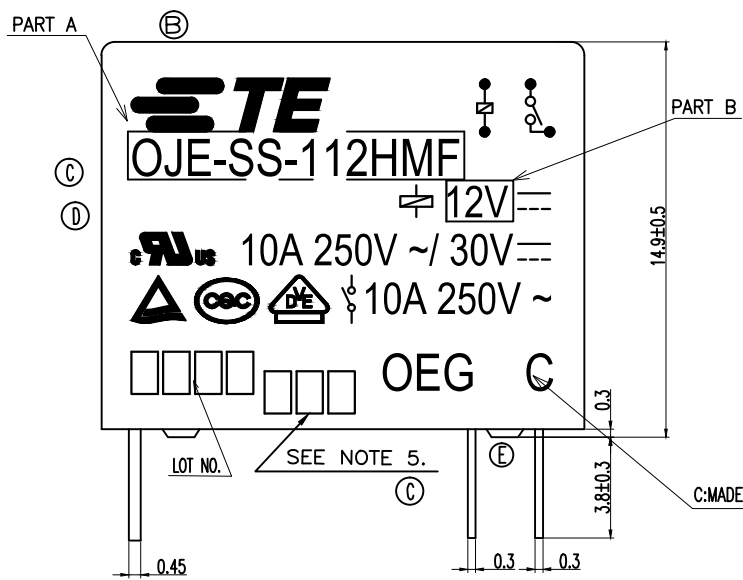
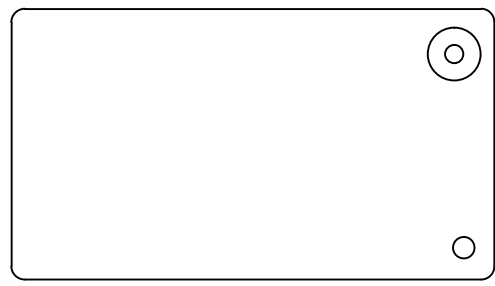


THIS DRAWING IS UNPUBLISHED. RELEASED FOR PUBLICATION  
 © COPYRIGHT By - TE CONNECTIVITY ALL RIGHTS RESERVED.

LOC		DIST		REVISIONS			
P	LTR	DESCRIPTION		DATE	DWN	APVD	
HB	-	E	REMOVED THE RIB ON THE BASE TO CASE ECO-15-011310	04DEC2015	HYS	CHL	



CONNECTION FIGURE

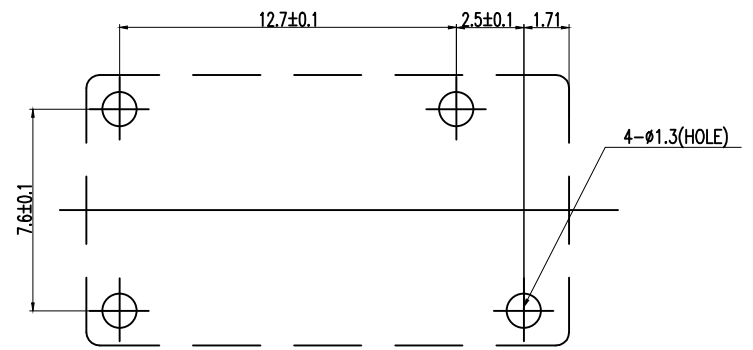


FIGURE FOR PRINTED CIRCUIT BOARD PROCESSING (BOTTOM VIEW)

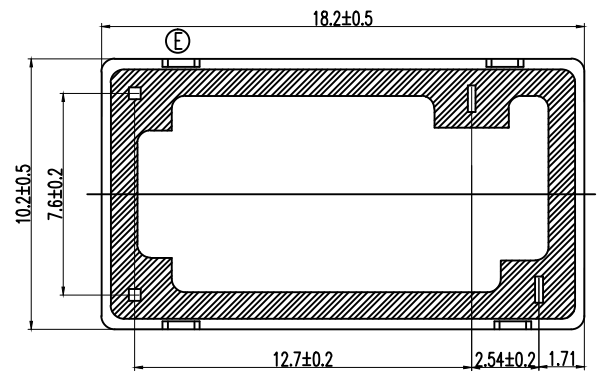


Diagram dimension	Tolerance
0.99mm max.	±0.1mm
1 - 2.99mm	±0.2mm
3mm min.	±0.3mm

THIS DRAWING IS A CONTROLLED DOCUMENT.		DWN	FU,BO	TE Connectivity		
DIMENSIONS: mm		CHK	XIAONING.ZHANG			
TOLERANCES UNLESS OTHERWISE SPECIFIED:		APVD	CH.HSU	NAME		
0 PLC	± -	PRODUCT SPEC	-	OJE-HMF TYPE RELAY CUSTOMER DRAWING		
1 PLC	± -	APPLICATION SPEC	-	SIZE	CAGE CODE	DRAWING NO
2 PLC	± -			A3	00779	1721923
3 PLC	± -			RESTRICTED TO		
4 PLC	± -			-		
ANGLES	± -	WEIGHT	-	SCALE		
MATERIAL	FINISH	CUSTOMER DRAWING		5:1	SHEET 1 OF 2	
					REV E	

THIS DRAWING IS UNPUBLISHED. RELEASED FOR PUBLICATION

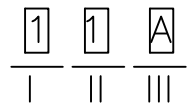
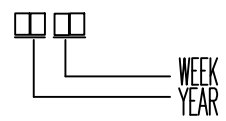
© COPYRIGHT By - TE CONNECTIVITY ALL RIGHTS RESERVED.

LOC	DIST	REVISIONS					
HB	-	P	LTR	DESCRIPTION	DATE	DWN	APVD
		-		SEE SHEET 1	-	-	-

①	1721923-3	OJE-SS-148HMF	48V	OJE-SS-148HMF	f
	6-1419128-6	OJE-SS-124HMF	24V	OJE-SS-124HMF	e
	4-1419128-4	OJE-SS-112HMF	12V	OJE-SS-112HMF	d
	3-1419128-6	OJE-SS-109HMF	9V	OJE-SS-109HMF	c
	1721923-2	OJE-SS-106HMF	6V	OJE-SS-106HMF	b
	1721923-1	OJE-SS-105HMF	5V	OJE-SS-105HMF	a
	TE PART NO	TE TYPE NAME	PART B	PART A	ITEM

② NOTES:

1.LOT NO. SYSTEM AS FOLLOWING: ⑤ 5.ADD LOT NO. SYSTEM AS FOLLOWING;



I, DIGITS FOR DAY OF THE WEEK  
 1...MONDAY IN THIS WEEK;  
 2...TUESDAY IN THIS WEEK;  
 .....  
 7...SUNDAY IN THIS WEEK  
 II, DIGITS FOR SHIFT OF THE DAY  
 1...DAY SHIFT IN THIS DAY;  
 2...NIGHT SHIFT IN THIS DAY;  
 III, ONE CHARACTER DISTINGUISH THE LINE IDENTITY,  
 SUCH AS: A,B.....Z

- ③ 2.TERMINAL DIMENSION IS BEFORE SOLDER DIP;
- ④ 3.FOR THE TIN-PLATING OF THE PINS:  
 +0.1mm FOR WIDTH, THICKNESS AND DIAMETER.  
 +0.5mm FOR LENGTH.
- ④ 4.MARKING FROM INK TO LASER AND USING WELDING CONTACT

		EPOXY RESIN	SEAL (BASE & BOBBIN)	15
		MW79	MAGNETIC WIRE	14
94V-0		P.B.T	CASE	13
94V-0		P.B.T	BASE	12
94VHB		NYRON	BOBBIN	11
	SOLDER DIP	C.P WIRE	COIL TERMINAL	10
94V-0		P.P.S	CARD	9
		Ag ALLOY	MOVABLE CONTACT	8
		Ag	NO.CONTACT	7
		STEEL	HINGE SPRING	6
	SOLDER DIP	CU ALLOY	NO.TERMINAL	5
	SOLDER DIP	CU ALLOY	MOVABLE SPRING	4
	NIP	STEEL	CORE	3
	NIP	STEEL	ARMATURE	2
	NIP	STEEL	YOKE	1
INCOMBUSTIBILITY	TREATMENT	MATERIAL	DESCRIPTION	ITEM

THIS DRAWING IS A CONTROLLED DOCUMENT.		DWN	FU,BO	TE Connectivity	
DIMENSIONS: mm		CHK	XIAONING.ZHANG	OJE-HMF TYPE RELAY CUSTOMER DRAWING	
TOLERANCES UNLESS OTHERWISE SPECIFIED:		APVD	CH.HSU	RESTRICTED TO	
0 PLC ± -		PRODUCT SPEC	-	-	
1 PLC ± -		APPLICATION SPEC	-	SIZE	A3
2 PLC ± -				CAGE CODE	00779
3 PLC ± -				DRAWING NO	1721923
4 PLC ± -				SCALE	5:1
ANGLES ± -		WEIGHT	-	SHEET	2 OF 2
MATERIAL	FINISH	CUSTOMER DRAWING		REV	E